



HIAB ix.258 HIDUO

BASIC DATA
2024.04

HIAB iX.258 HiDUO

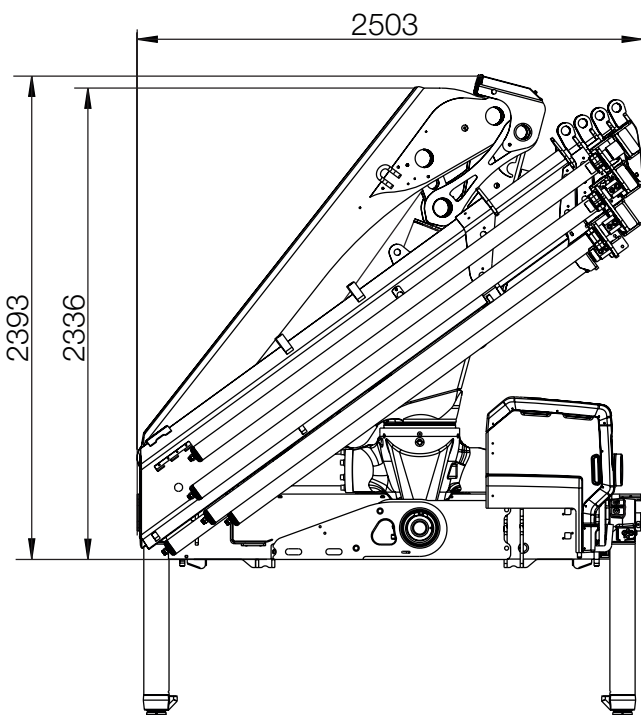
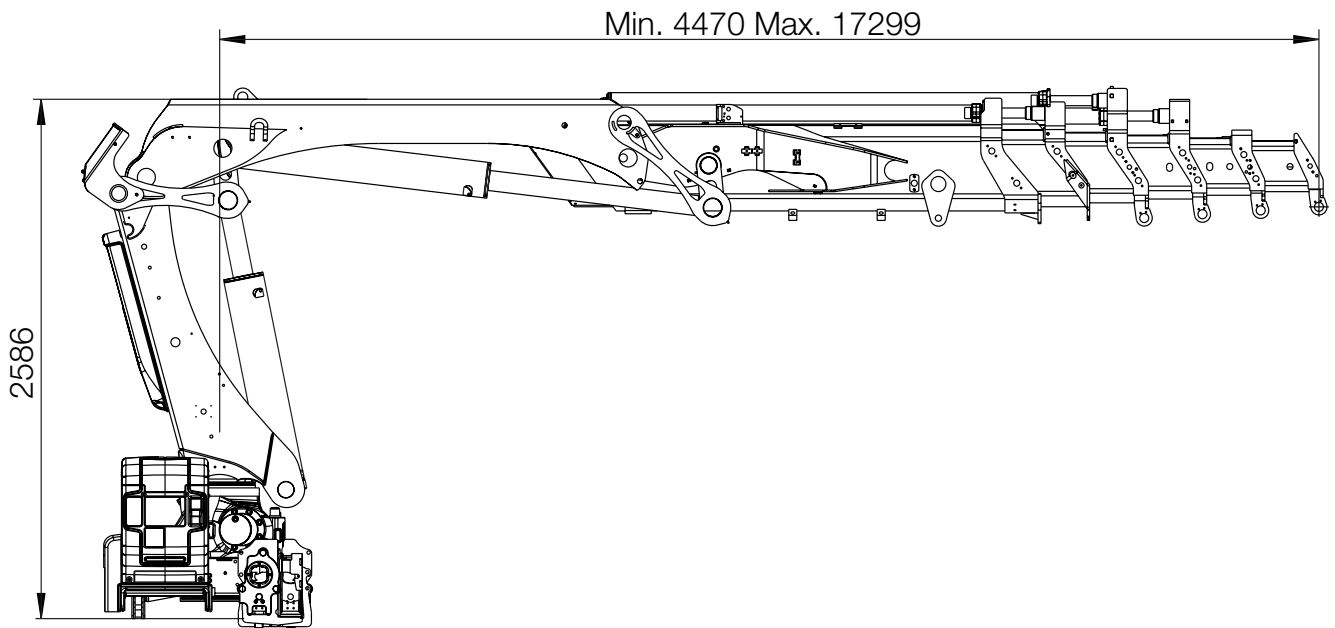
BASIC DATA

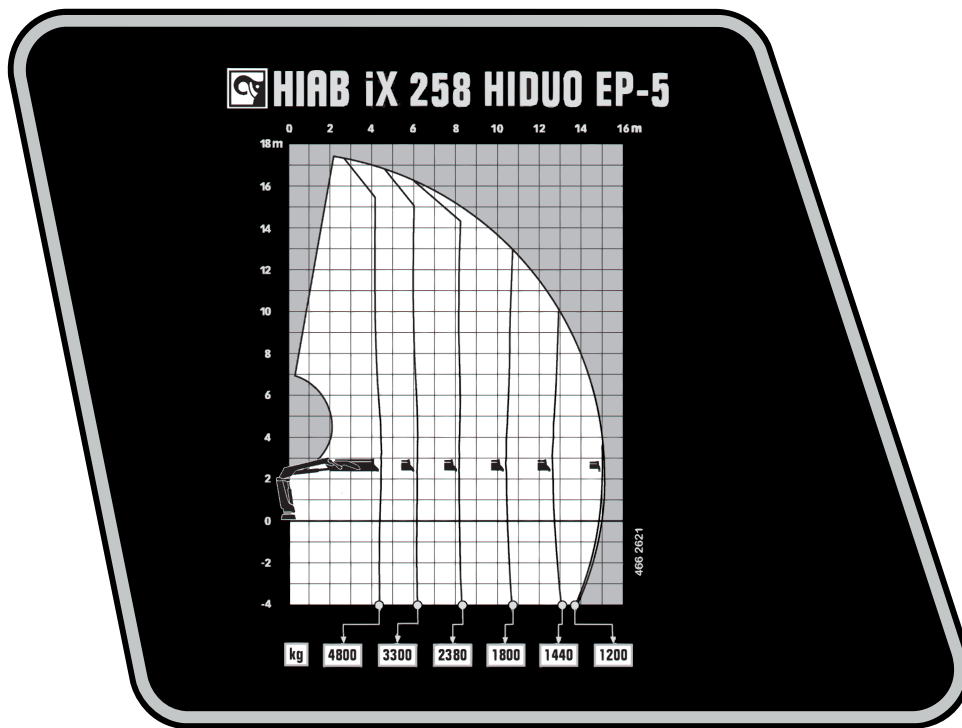
Technical data	iX.258 HiDUO E-6	iX.258 HiDUO E-8	iX.258 HiDUO E-4	iX.258 HiDUO EP-5
Mdyn (kNm)	294	295	291	294
Lifting capacity ADC (kNm)	202	193	215	211
Lifting capacity ADC (tm)	20.6	19.7	21.9	21.5
Outreach – lifting capacity, standard (m – kg)	2.4 – 8400	2.4 – 8100	2.5 – 8500	2.5 – 8400
	4.5 – 4600	4.7 – 4200	4.4 – 5000	4.5 – 4800
	6.1 – 3150	6.3 – 2840	6.1 – 3500	6.2 – 3300
	7.9 – 2280	8.1 – 1980	8.1 – 2520	8.2 – 2380
	9.8 – 1720	10.0 – 1420	10.3 – 1940	10.4 – 1800
	11.8 – 1340	12.0 – 1060	12.6 – 1580	12.7 – 1440
	13.9 – 1100	14.1 – 820	–	15.0 – 1200
	16.1 – 920	16.3 – 660	–	–
	–	18.6 – 540	–	–
Outreach – lifting capacity, manual extensions (m – kg)	18.3 – 740	22.4 – 410	15.0 – 1220	17.2 – 980
	20.4 – 600	–	17.2 – 1020	–
Hydraulic outreach, standard (m)	16.2	21.0	12.7	15.1
Hydraulic boom extension (m)	11.7	16.3	8.3	10.6
Outreach, manual extensions (m)	20.6	22.6	17.3	
Lifting height above installation level, hydr/man (m)	18.8 / 23.1	23.6 / 25.1	15.3 / 19.9	17.7 / 19.9
Rec. oil flow (l/min)	70 – 90			
Working pressure (Mpa)	32.6			
Oil in tank (l)	150 – 200			
Tank capacity (l)	0 – 235			
Slewing angle (°)	410			
Max slope viable at full capacity (°)	5			
Slewing torque, gross (kNm)	28.3			
Slewing speed 80 (°/s)	15			
Slewing speed (°/s)	15			
Lifting speed at standard hydraulic outreach (m/s)	2.8	3.6	2.2	2.6
Height in folded position (mm)	2401		2392	2393
Width in folded position (mm)	2505	2508	2500	2503
Install space required (mm)	1166	1200	1124	1153
Crane in standard version without stabiliser system (kg)	3210	3540	2860	3000
Frame attachments (kg)	56 – 63			
Stabiliser system equipment (kg)	381 – 465			

This table shows a few examples of models, and represents some of all options available. With the opportunity to configure your crane, we can provide you with a crane perfectly tailored to your needs.

Please contact your local dealer for more information on the variety of options we can offer.

HIAB iX.258 HIDUO EP-5





Disclaimer. We reserve the right to make changes. Illustrations, drawings and data are not always in accordance with the latest version or standard model in production. The models in the pictures may present special equipment or colours.

BD-IX.258HIDUO-EN-WW_240402

BUILT TO PERFORM

Hiab is a leading provider of smart and sustainable load handling solutions. We are committed to delivering the best customer experience every day with the most engaged people and partners. Hiab's premium equipment includes HIAB, EFFER and ARGOS loader cranes, MOFFETT and PRINCETON truck mounted forklifts, LOGLIFT forestry cranes, JONSERED recycling cranes, MULTILIFT skiploaders and hooklifts, GALFAB roll-off cable hoists, and tail lifts under the ZEPRO, DEL and WALTCO brands. As the industry pioneer, Hiab continues to make load handling smarter, safer and more sustainable to build a better tomorrow. Hiab is part of Cargotec Corporation.

www.hiab.com

